

## Technical Bulletin

---

REFERENCE TB\_2022\_FRECA\_01\_EN

---

DATE 2022-03-08

---

SUBJECT Update regulations

---

### Nomenclature (release 4.1.1)

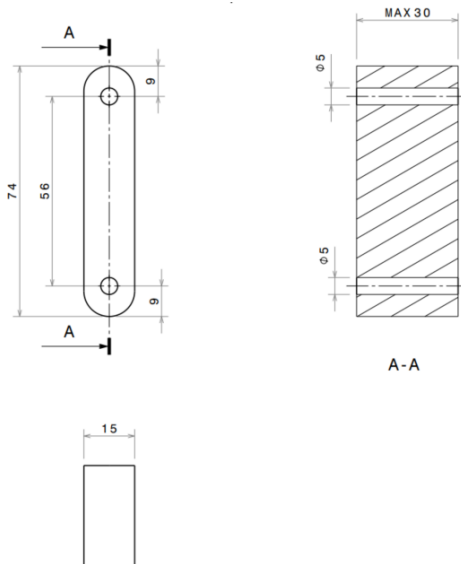
#### 05A – Clutch Pedal

##### Item 2 and 3 (Clutch Pedal Plate and Clutch Pedal)

It is allowed to add spacers between the pedal and the pedal footplate.

The spacer must be aluminum. The maximum total thickness allowed is 30 mm.

**Important notice:** length of the bolts to install the pedal footplates shall be increased accordingly.



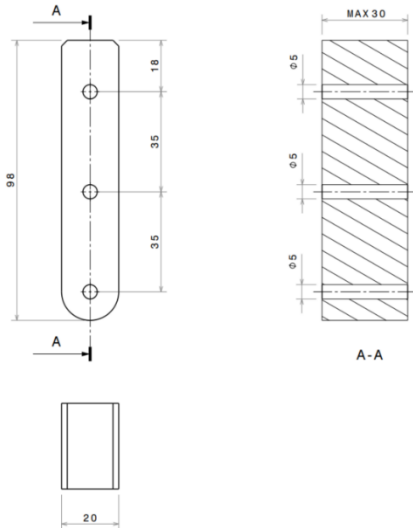
## 05B – Brake Pedal

### Item 1 and 5 (Brake Pedal Plate and Brake Pedal)

It is allowed to add spacers between the pedal and the pedal footplate.

The spacer must be aluminum. The maximum total thickness allowed is 30 mm.

**Important notice:** length of the bolts to install the pedal footplates shall be increased accordingly.



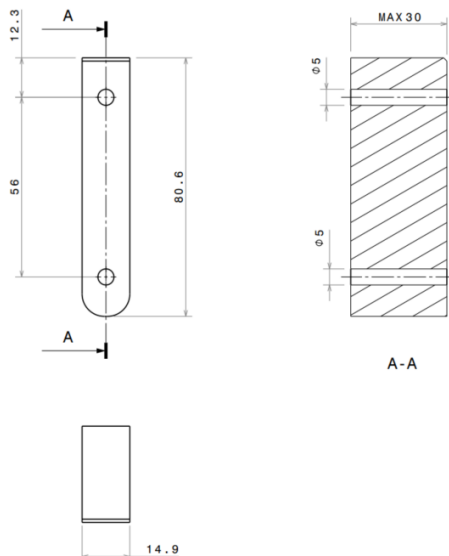
## 05C – Throttle Pedal

### Item 1 and 3 (Throttle Pedal and Throttle Pedal Plate)

It is allowed to add spacers between the pedal and the pedal footplate.

The spacer must be aluminum. The maximum total thickness allowed is 30 mm.

**Important notice:** length of the bolts to install the pedal footplates shall be increased accordingly.

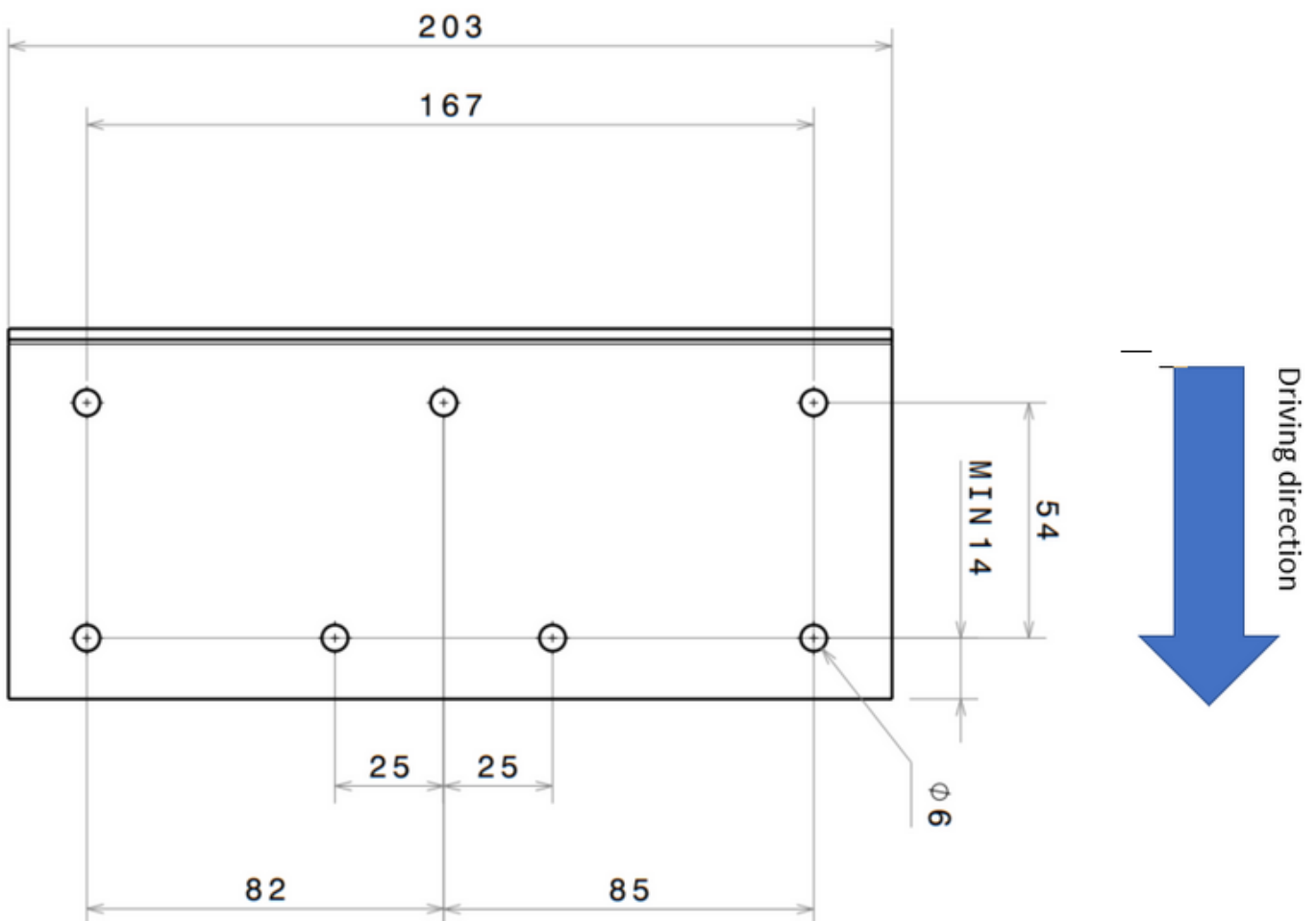


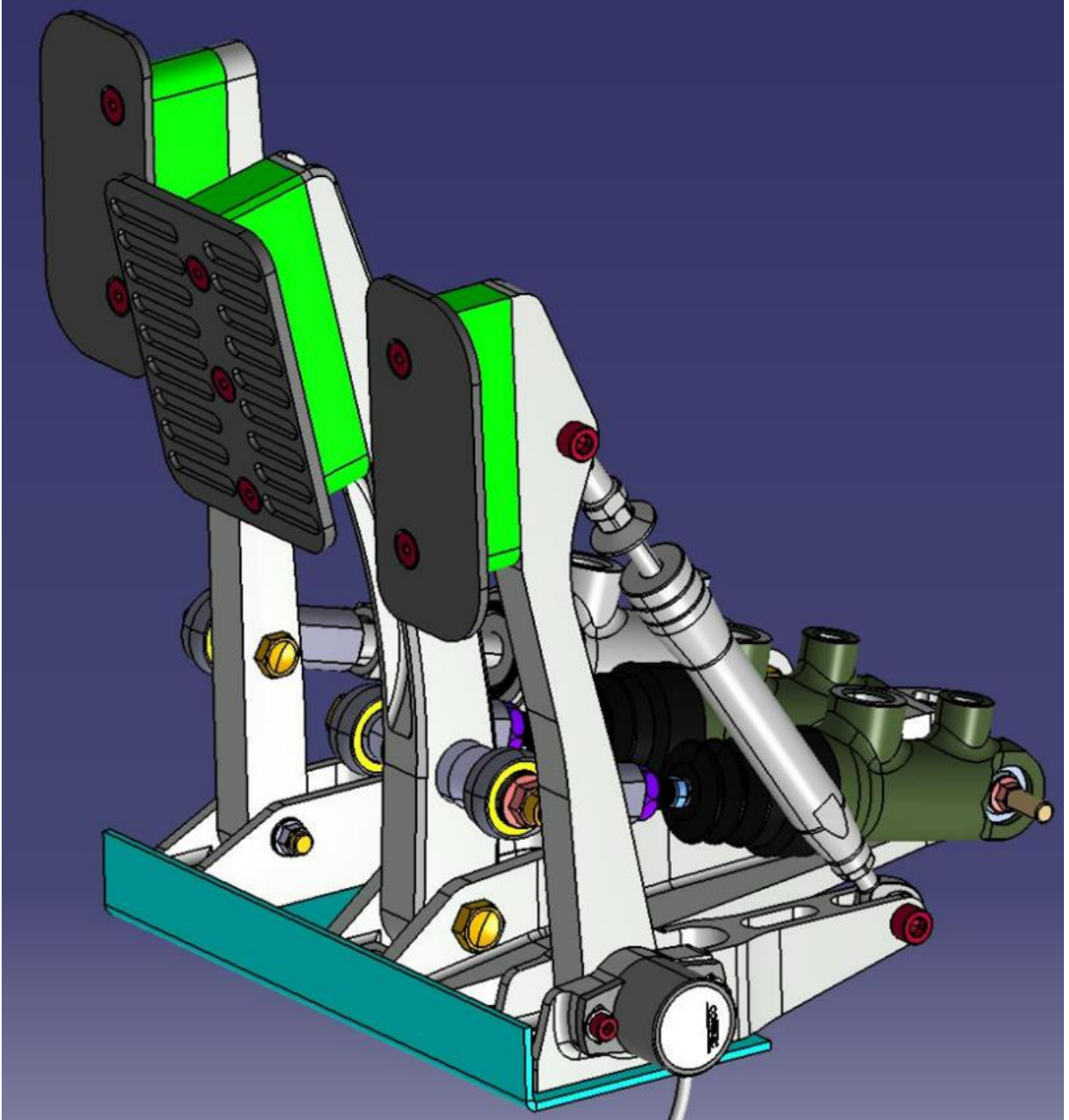
## Heel Rest

It is allowed to make a bolted heel rest on the same holes used to install the pedals, provided that the heel rest is held on all bolts of the pedals as shown in the reference drawing below.

Only aluminum or steel is allowed.

The maximum weight of the heel rest should not exceed **1 kilogram**.





### 11A – Front Rockers

#### Item 22 (Damper)

It is not allowed to put thermal protection on the dampers.

### 15A – Rear Suspension

#### Item 15 (Damper)

It is not allowed to put thermal protection on the dampers.



### 25D – Electric System

#### Item 1 (Rear Light Bracket)

It is allowed to reverse the position of the rain light steel bracket (see photos below).

It is allowed to replace the original silent-blocs with spacers between the steel bracket and the crash box.

It is mandatory to put 2 (two) silent-blocs between the rain light and the steel bracket.



### 30H Gearbox :

#### Item 7 : Belleville washers

Ruled thickness : thickness 2 mm +0.02/-0.08

#### Item 10 : Core discs

Ruled thickness : 1,75 mm +0.02/-0.06

#### Item 11 : Friction discs

Ruled thickness : 1,75 mm +0.05/-0.1